



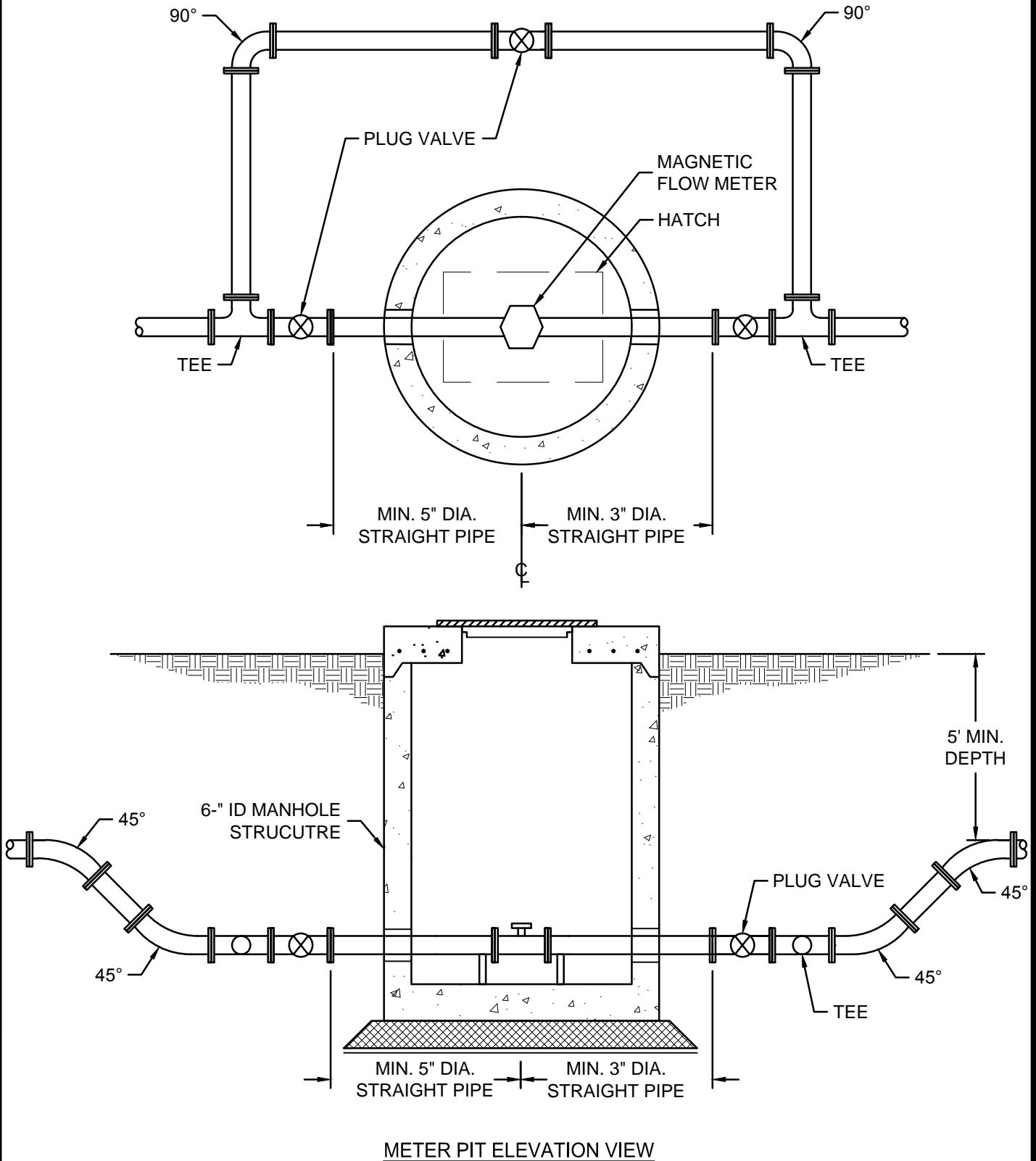
LIFT STATION METER PIT

Created: January 5, 2013

Revised: January 5, 2015

Scale: N.T.S.

Approved: January 5, 2015



METER PIT ELEVATION VIEW

NOTES:

1. ALL VALVES, PIPE, AND FITTINGS TO BE DUCTILE IRON.