

Thieme Drive Floodwall Project Update



West Central Neighborhood Meeting
February 7, 2019

Agenda



- 3RPORT - Drop shaft construction update
- Flood protection project background and purpose
- Proposed floodwall structure
- Thieme Dr. modifications
- Maintenance of traffic
- Next steps

Drop Shaft 05 Update



Work Completed

- Site prep and fencing
- Soil and rock drilling

Work Remaining

- Utility relocation
- Drop and vent shaft liner
- Near surface consolidation sewer
- Site restoration

Tentative Schedule

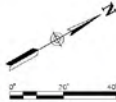
- Complete late Fall 2019



Thieme Drive Modifications



ENR/2/19 2:01 PM



SHEET PREPARED BY:
VS ENGINEERING, INC.
10101
10101



THIEME DRIVE DRAINAGE AND ROADWAY IMPROVEMENTS
 PREPARED FOR:
 FORT WAYNE
 CITY UTILITIES ENGINEERING
 CITIZENS SQUARE
 FORT WAYNE, IN 46802

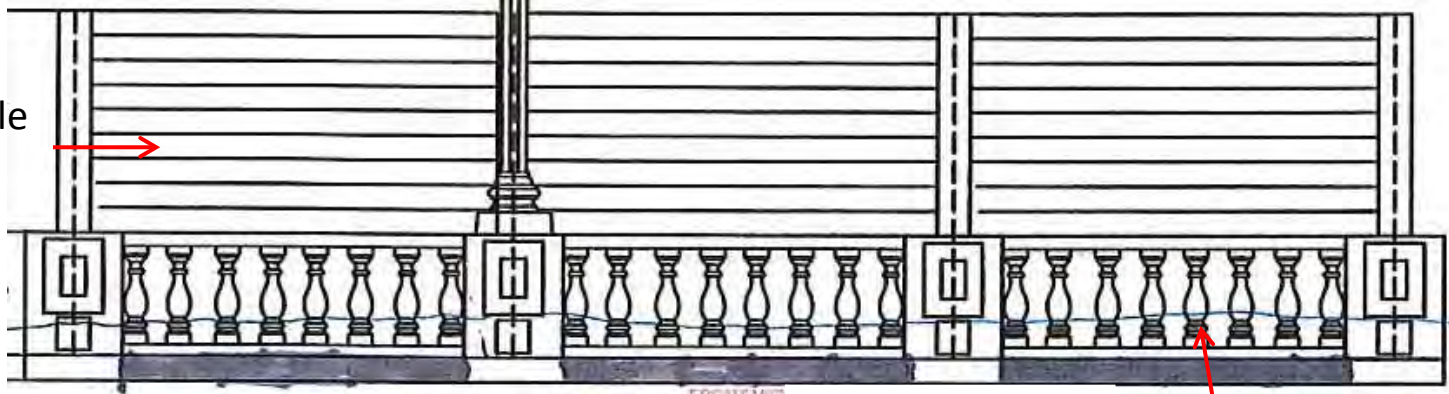
W.O. NO: R3653	DATE:
DWG NO: SY-20973	
SURVEYED BY: APEX	
DRAWN BY: CAC	
DESIGNED BY: JAD	
CHECKED BY: JAD	
APPROVED BY:	
APPROVED BY:	
DATE:	
SHEET TITLE:	
THIEME DRIVE PUBLIC MEETING 2/7/2019	
EXHIBIT	
SHEET 1 OF 2	

Proposed Floodwall



EXAMPLE FLOODWALL FRONT VIEW

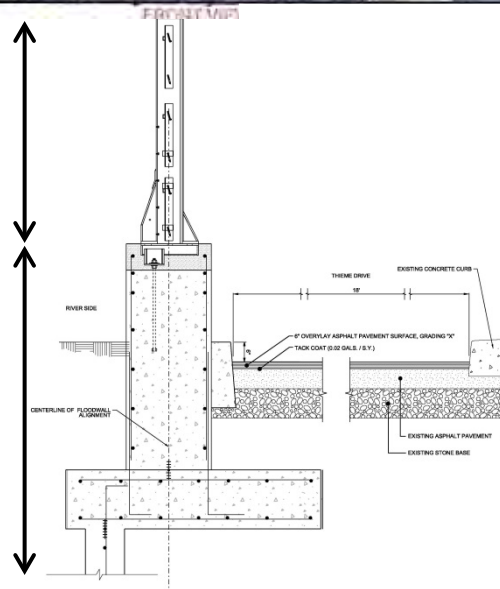
Removable Wall



Removable Wall →

Permanent Knee Wall

Floodwall Foundation (remain in place)

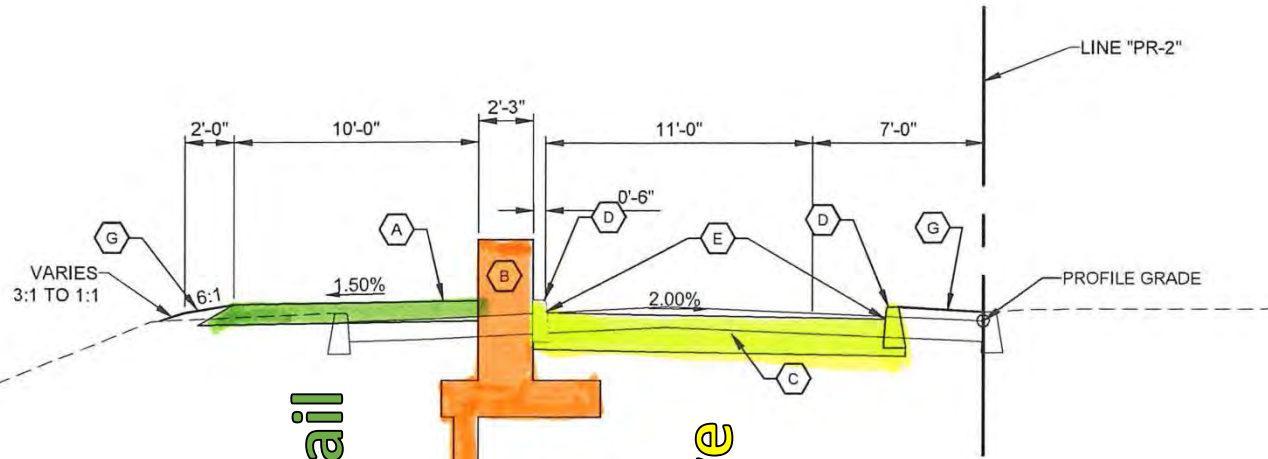


Proposed Floodwall



Example Cross Section

St Mary's
River



Greenway Trail

Floodwall

Thieme Drive

Example Flood Wall





STORMWATER

Maintenance of Traffic



GENERAL SHEET NOTES

1. BERRY ST. TO BE CONVERTED TO A TWO-WAY ROADWAY BETWEEN ROCKHILL ST & THEME DR. FOR LOCAL TRAFFIC DURING CONSTRUCTION. PARKING ON THE SOUTH SIDE OF BERRY ST. WILL BE ELIMINATED.
2. WAYNE ST. TO BE CONVERTED TO TWO-WAY ROADWAY BETWEEN NELSON ST. & THEME DR. FOR LOCAL TRAFFIC DURING CONSTRUCTION. PARKING ON THE NORTH SIDE OF WAYNE WILL BE ELIMINATED.

LEGEND

- SIGN
- BARRICADE
- DETOUR ROUTE
- EXISTING TRAFFIC PATTERNS
- (R5-1) REGULATORY SIGN, "DO NOT ENTER" (R5-1) (30" X 30")
- (R6-6) REGULATORY SIGN, "BEGIN ONE WAY" (R6-6) (24" X 30")
- (R5-2) REGULATORY SIGN, "END ONE WAY" (R5-2) (24" X 30")
- (W15-9P) TWO-WAY TRAFFIC (W15-3) (48" X 48") W/HEAD PLAUQUE (W15-9P) (24" X 12")
- (W15-3) TWO-WAY TRAFFIC (W15-3) (48" X 48")
- (W15-1) DETOUR AHEAD (W15-1) (48" X 48")
- (W15-2) DETOUR AHEAD (W15-2) (48" X 48") W/THEME DR. PLAUQUE (36" X 12")
- (W15-3) DETOUR AHEAD (W15-3) (48" X 48") W/BERRY ST. PLAUQUE (36" X 12")
- (W15-4) DETOUR AHEAD (W15-4) (48" X 48") W/NELSON ST. PLAUQUE (36" X 12")
- (R11-2) ROAD CLOSED AHEAD (R11-2) (48" X 48")
- (R11-3) ROAD CLOSED AHEAD (R11-3) (48" X 48") W/THEME DR. PLAUQUE (36" X 12")
- (R11-4) ROAD CLOSED AHEAD (R11-4) (48" X 48") W/BERRY ST. PLAUQUE (36" X 12")
- (R11-5) ROAD CLOSED AHEAD (R11-5) (48" X 48") W/NELSON ST. PLAUQUE (36" X 12")
- (R11-6) STANDARD BARRICADE, TYPE II-B
- (R11-7) ROAD CLOSURE SIGN ASSEMBLY, "ROAD-CLOSED" (R11-7)
- (R11-8) ROAD CLOSURE SIGN ASSEMBLY, "ROAD CLOSED TO THRU TRAFFIC" (R11-8)
- (R11-9) ROAD CLOSURE SIGN ASSEMBLY, "ROAD CLOSED TO THRU TRAFFIC" (R11-9) W/DETOUR ARROW (X11-10 (L OR R))
- (R11-10) END CONSTRUCTION (R11-10) (60" X 24")
- (R11-11) ADVANCE TURN DETOUR ROUTE MARKER ASSEMBLY, "DETOUR" (X11-8) W/TURN OR STRAIGHT ARROW (M5-1 (L OR R)) OR (M5-3)
- (R11-12) DIRECTIONAL DETOUR ROUTE MARKER ASSEMBLY, "DETOUR" (X11-8) W/STRAIGHT ARROW (M5-1 (L OR R)) OR STRAIGHT ARROW (M5-3)
- (R11-13) CONFIRMING DETOUR ROUTE MARKER ASSEMBLY, "DETOUR" (X11-8) W/STRAIGHT ARROW (M5-3)
- (R11-14) END DETOUR ROUTE MARKER ASSEMBLY, "END DETOUR" (X11-8) W/TURN OR STRAIGHT ARROW (M5-1 (L OR R)) OR (M5-3)

SHEET PREPARED BY:
V5 ENGINEERING, INC.
 11/1/18

BY: _____
 DATE: _____

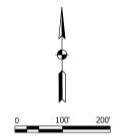
PREPARED FOR:
FORT WAYNE ENGINEERING
 CITY OF FORT WAYNE
 200 E. BERRY ST., STE. 250
 FORT WAYNE, IN 46802

THEMERE DRIVE DRAINAGE AND ROADWAY IMPROVEMENTS

80% PLANS NOT FOR CONSTRUCTION

W.O. NO.	83653
DWG NO.	SY-20973
SURVEYED BY:	APEX
DRAWN BY:	ADM
DESIGNED BY:	JAD
CHECKED BY:	MAH
APPROVED BY:	APPROVED BY
DATE:	11/1/18
SHEET TITLE:	

MAINTENANCE OF TRAFFIC (1 OF 2)
 C-104-07
 SHEET 9 OF 47



Next Steps



- Finalize Storm Sewer and Roadway Design– Ongoing
- Project Bidding – Late 2019
- Neighborhood Meet the Contractor Meeting
- Review project construction schedule
- Begin Construction –2020
- Complete Construction – 2021

For more info

- Patrick Zaharako – City Engineer – Public Works
 - 260-427-2789
 - patrick.zaharako@cityoffortwayne.org
- Kristen Buell – Project Manager – City Utilities
 - 260-427-2583
 - kristen.buell@cityoffortwayne.org

