

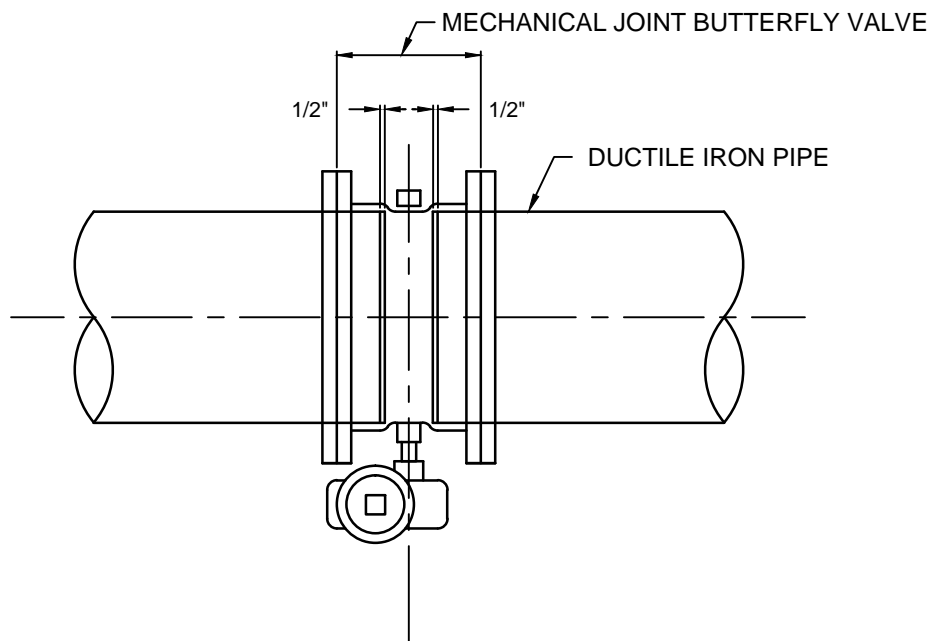
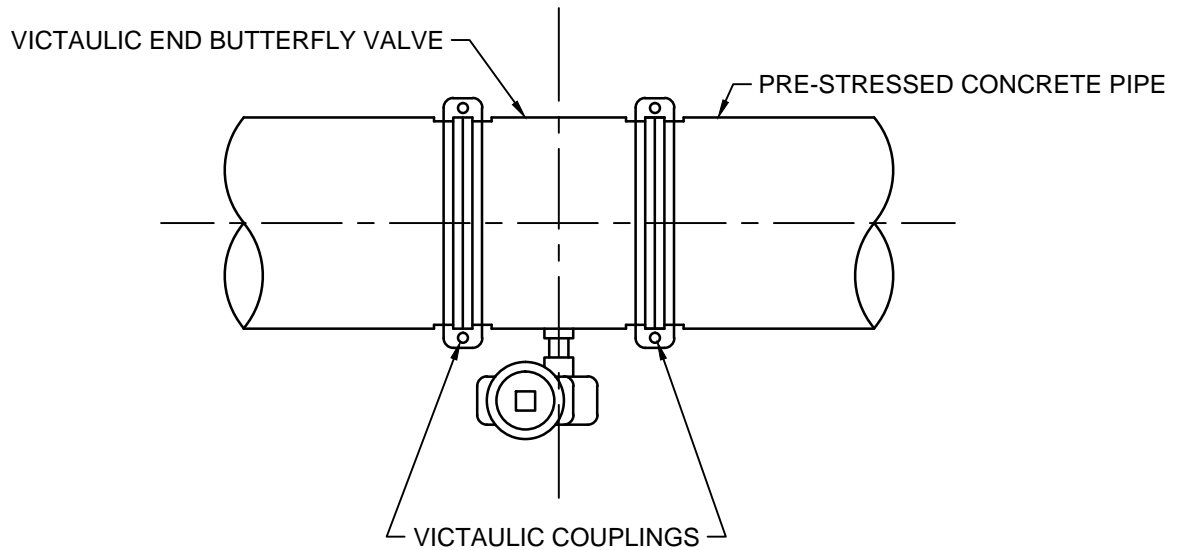


BUTTERFLY VALVE INSTALLATION

Created: January 1, 2002

Revised: July 11, 2016

Scale: N.T.S.



NOTE:

1. FOR USE ONLY ON PIPE 24" AND GREATER.
2. USE RESILIENT SEAT GATE VALVES ON 16" AND BELOW