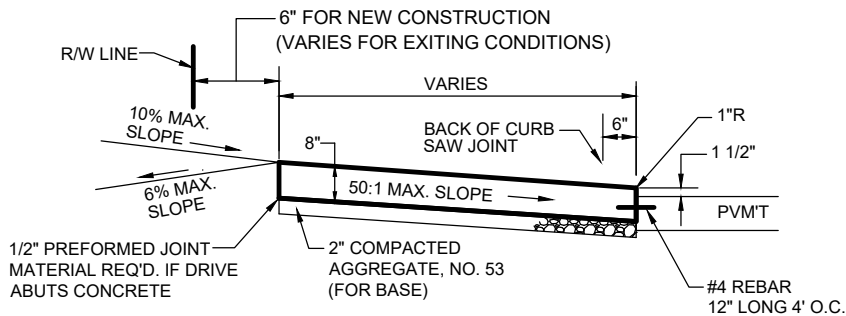
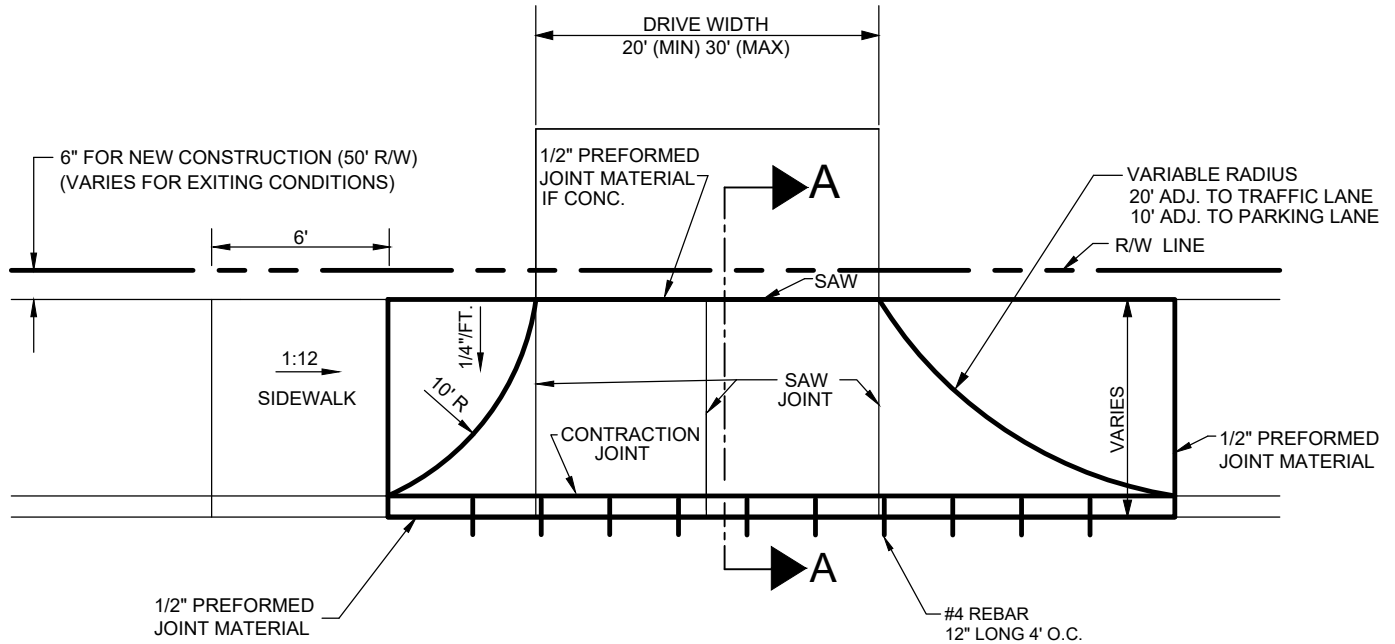


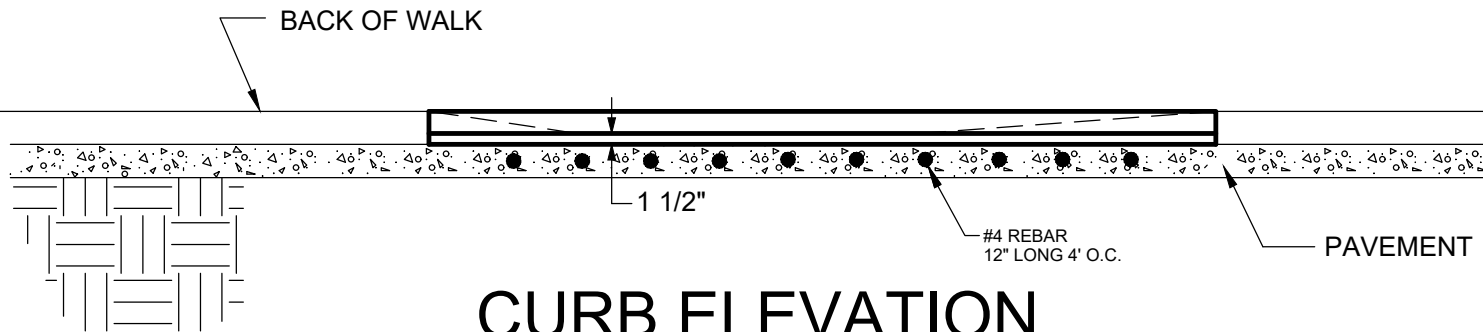


COMMERCIAL DRIVE APPROACH FOR CURBFACE WALK

N.T.S.



SECTION A-A



CURB ELEVATION