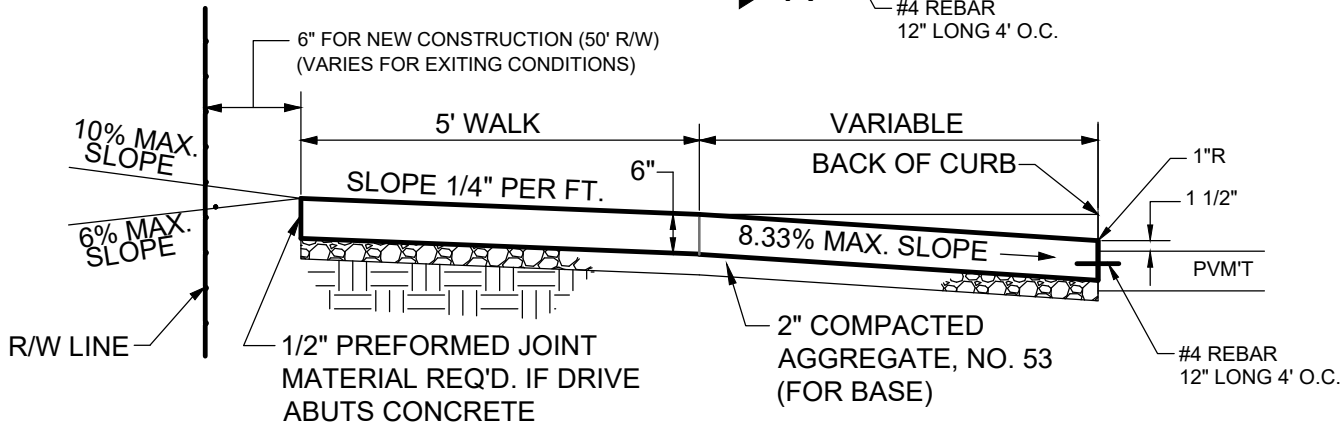
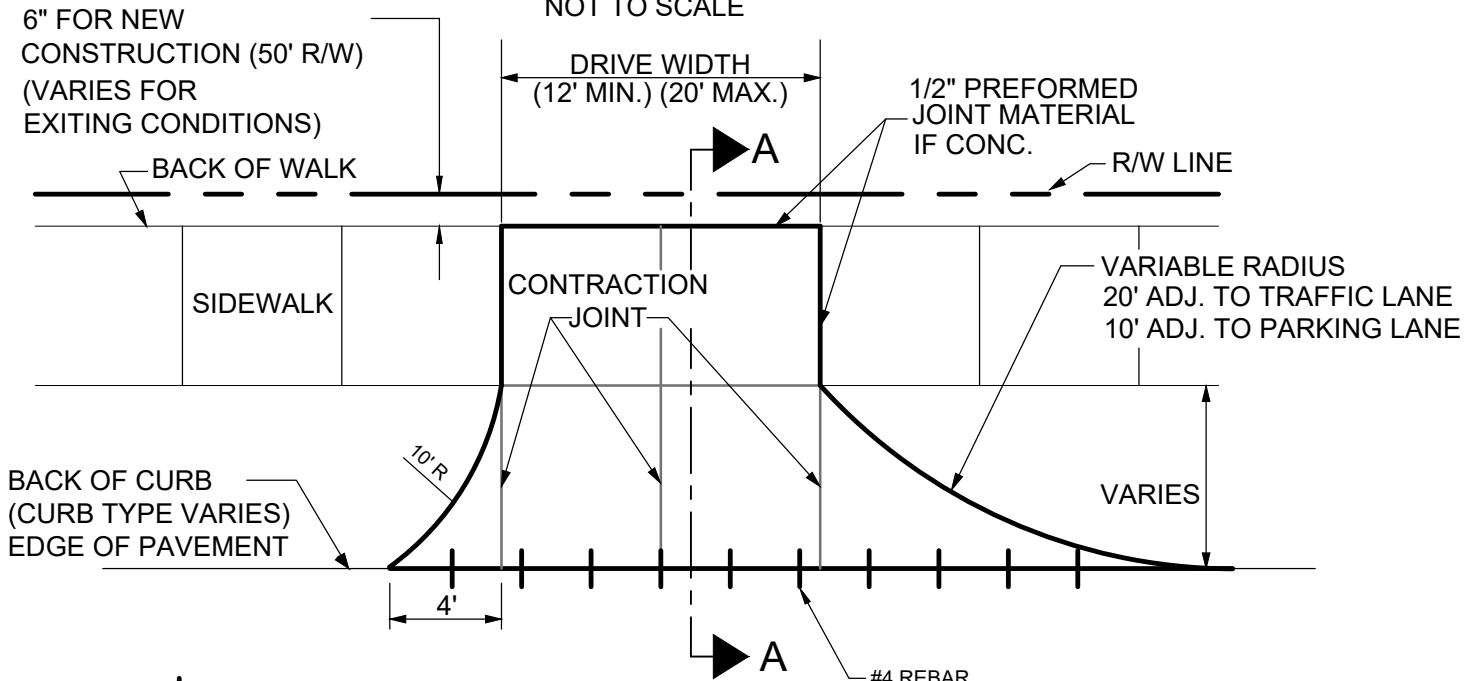


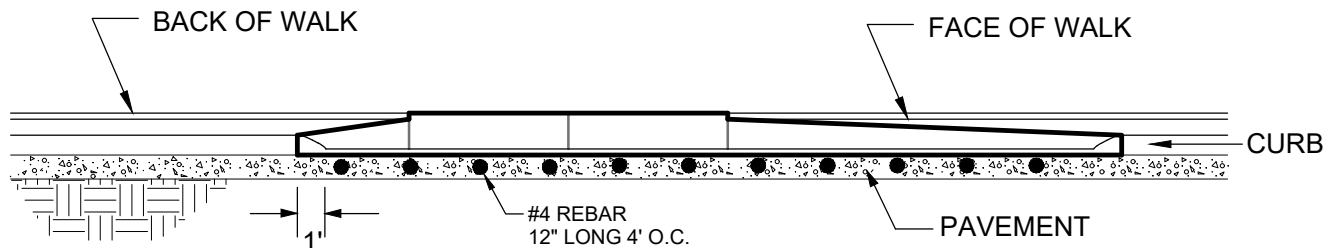


# RESIDENTIAL DRIVE APPROACH

NOT TO SCALE



## SECTION A-A



## CURB ELEVATION