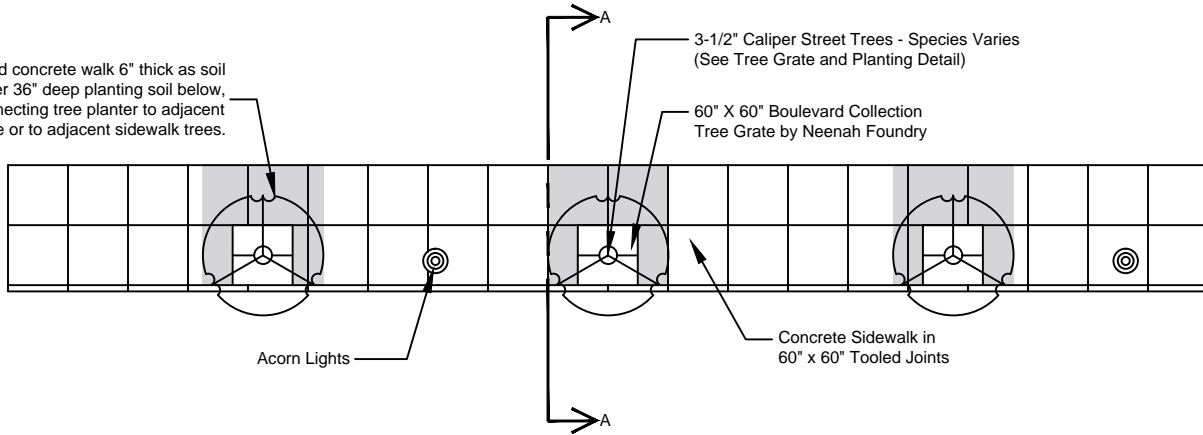


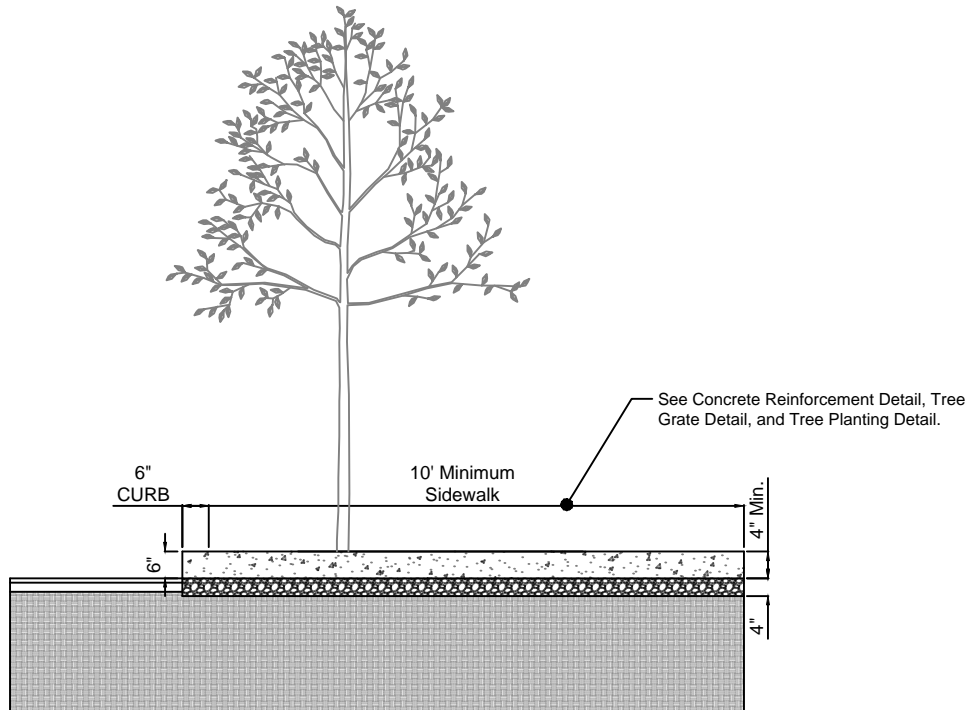


Integral Sidewalk Plan and Section

Reinforced concrete walk 6" thick as soil bridges over 36" deep planting soil below, connecting tree planter to adjacent planting area or to adjacent sidewalk trees.



1 PLAN
Not to Scale



2 SECTION A-A
Not to Scale