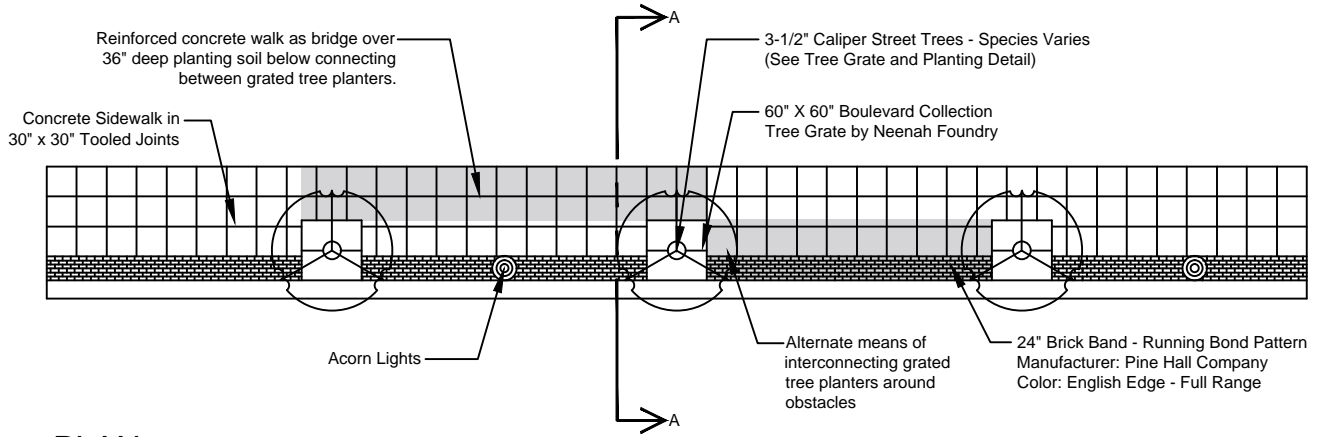
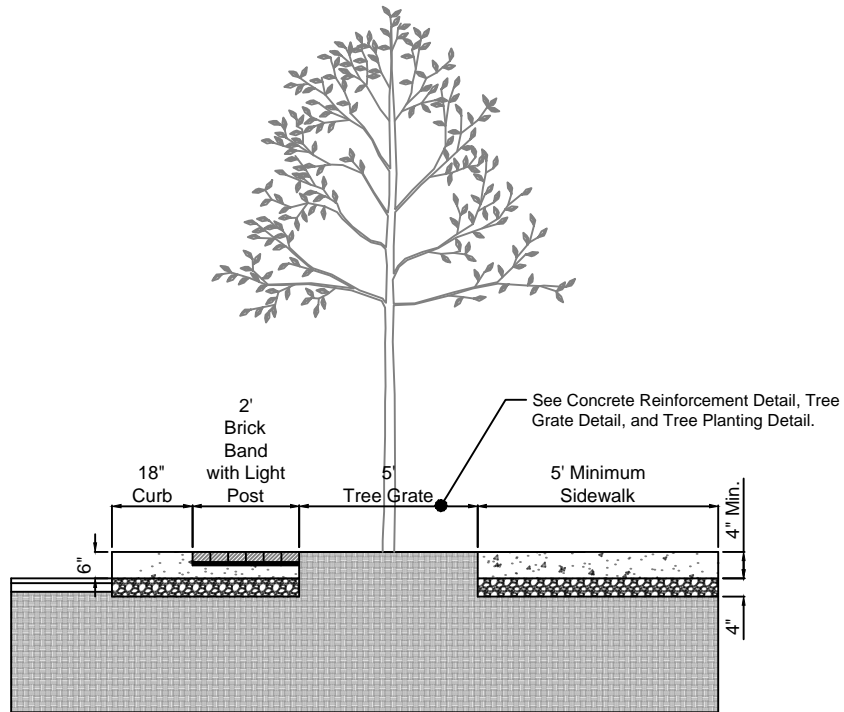




Enhanced Integral Sidewalk Plan and Section



1 PLAN
Not to Scale



2 SECTION A-A
Not to Scale